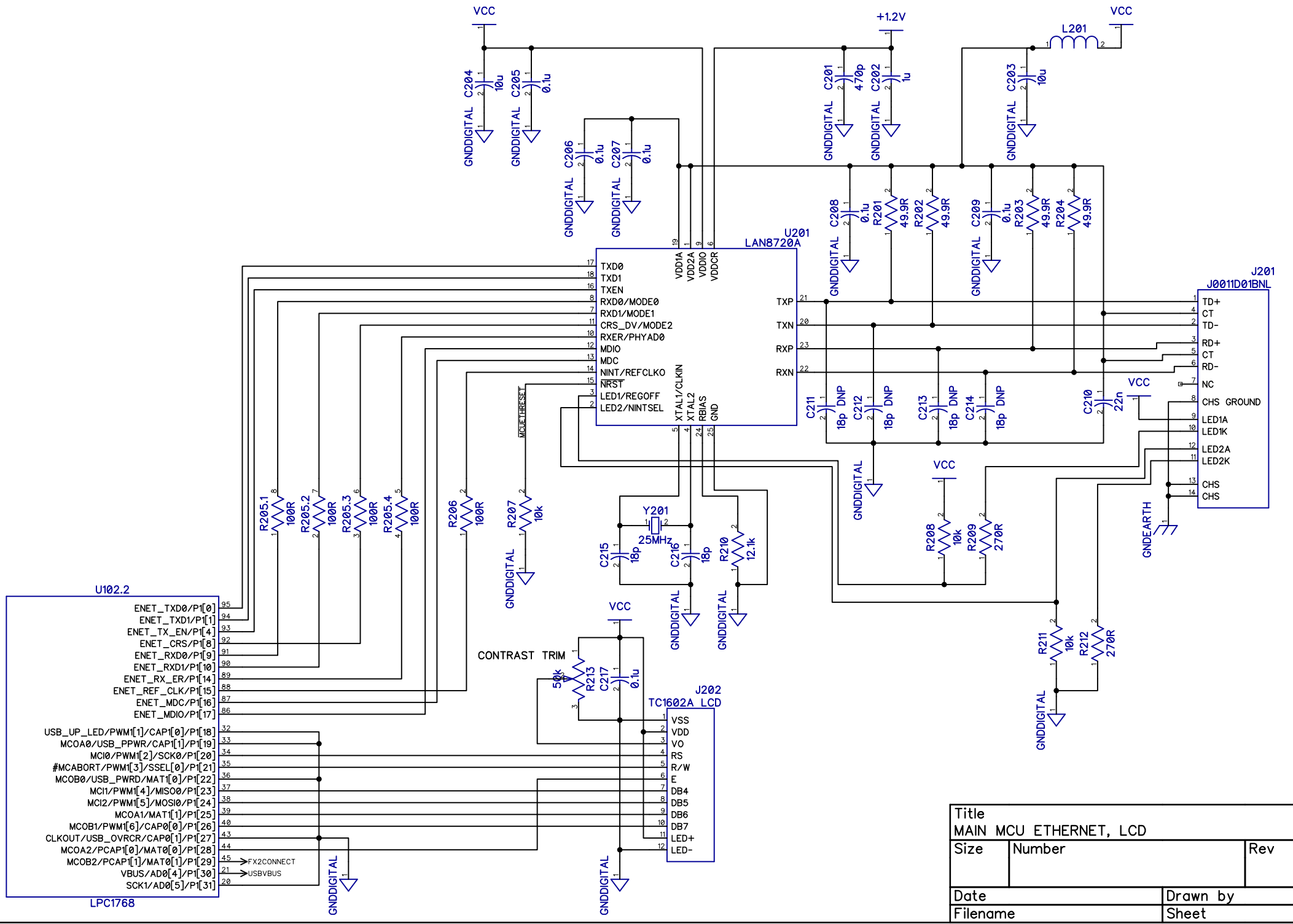
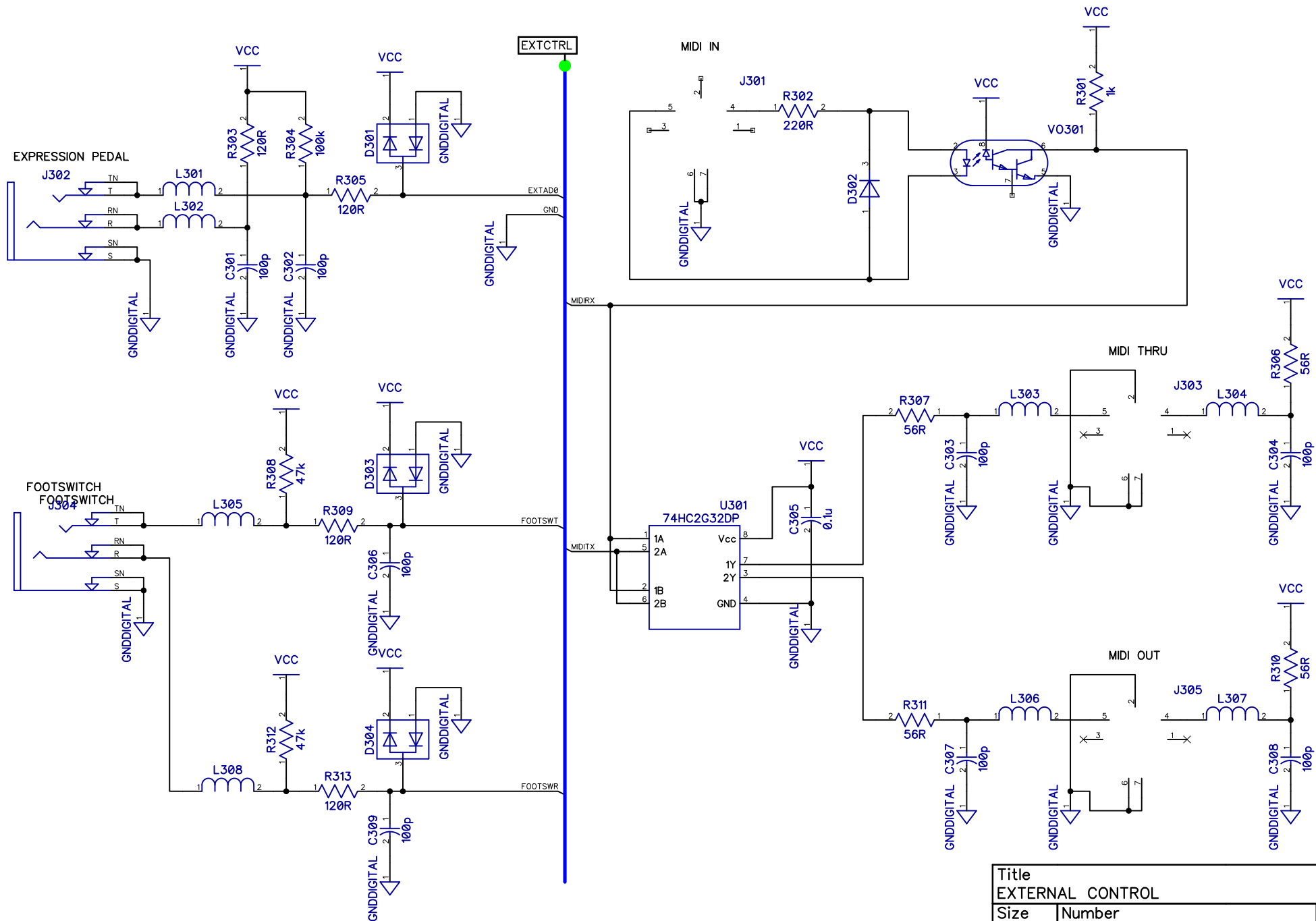


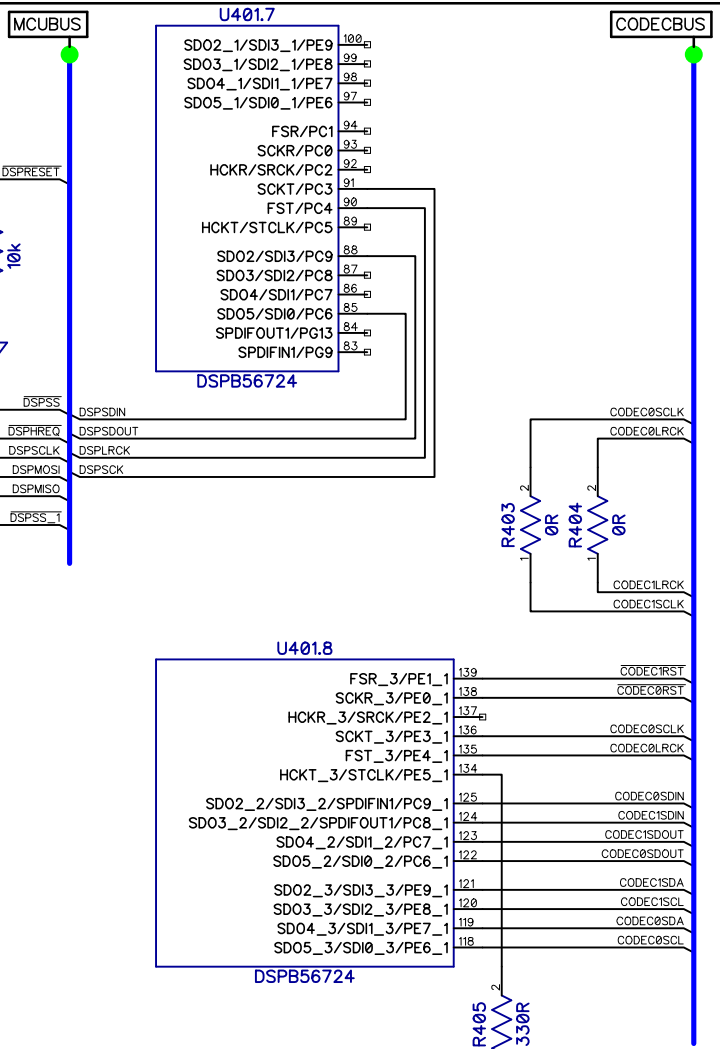
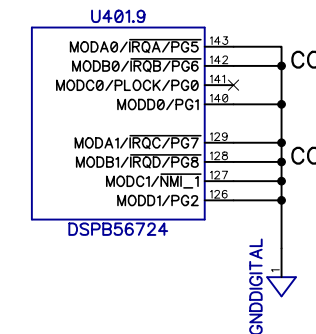
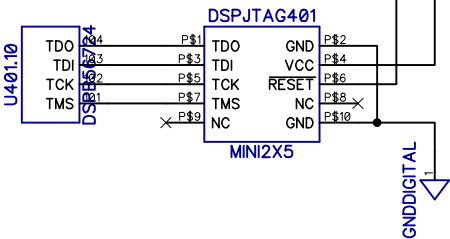
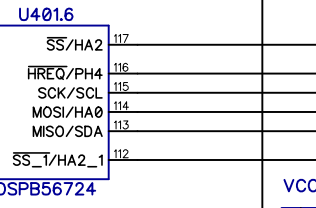
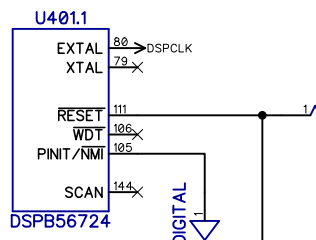
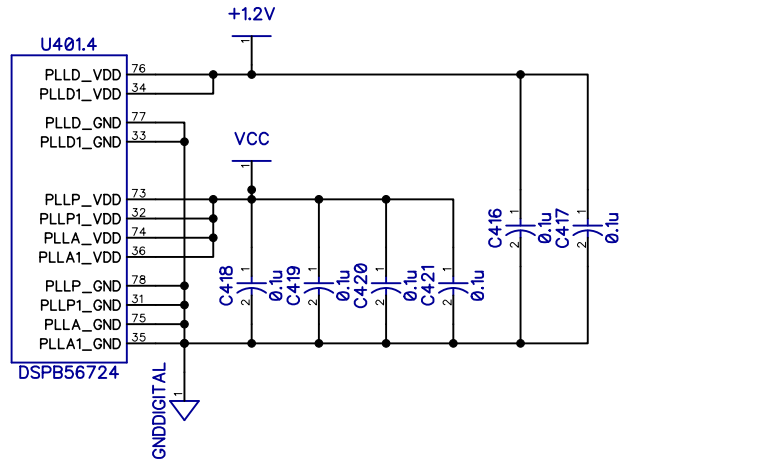
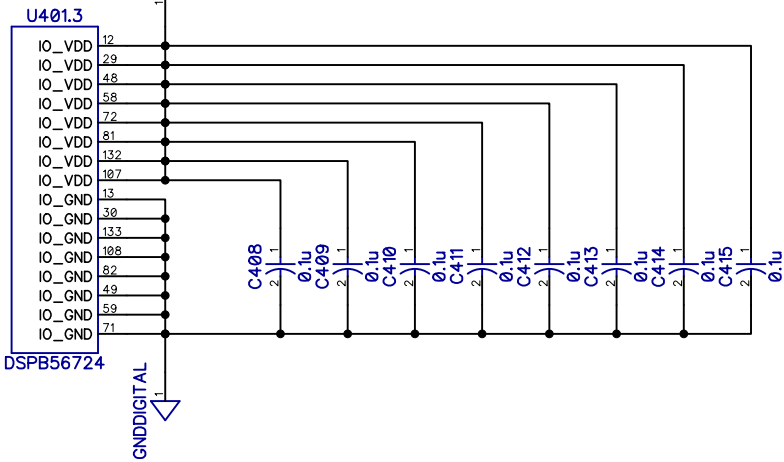
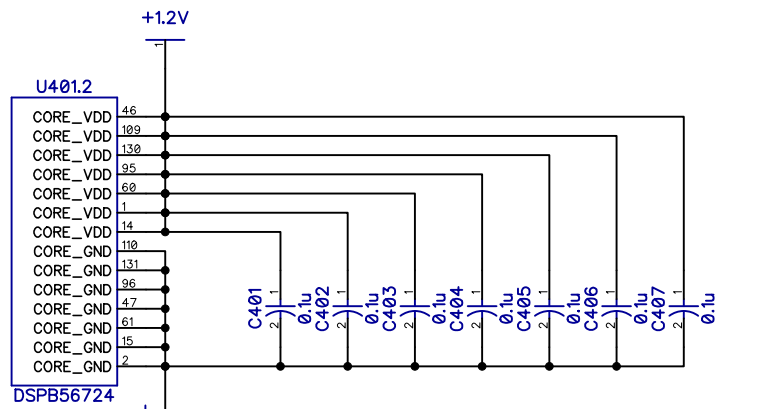
Title MAIN MCU		
Size	Number	Rev
Date	Drawn by	
Filename	Sheet	



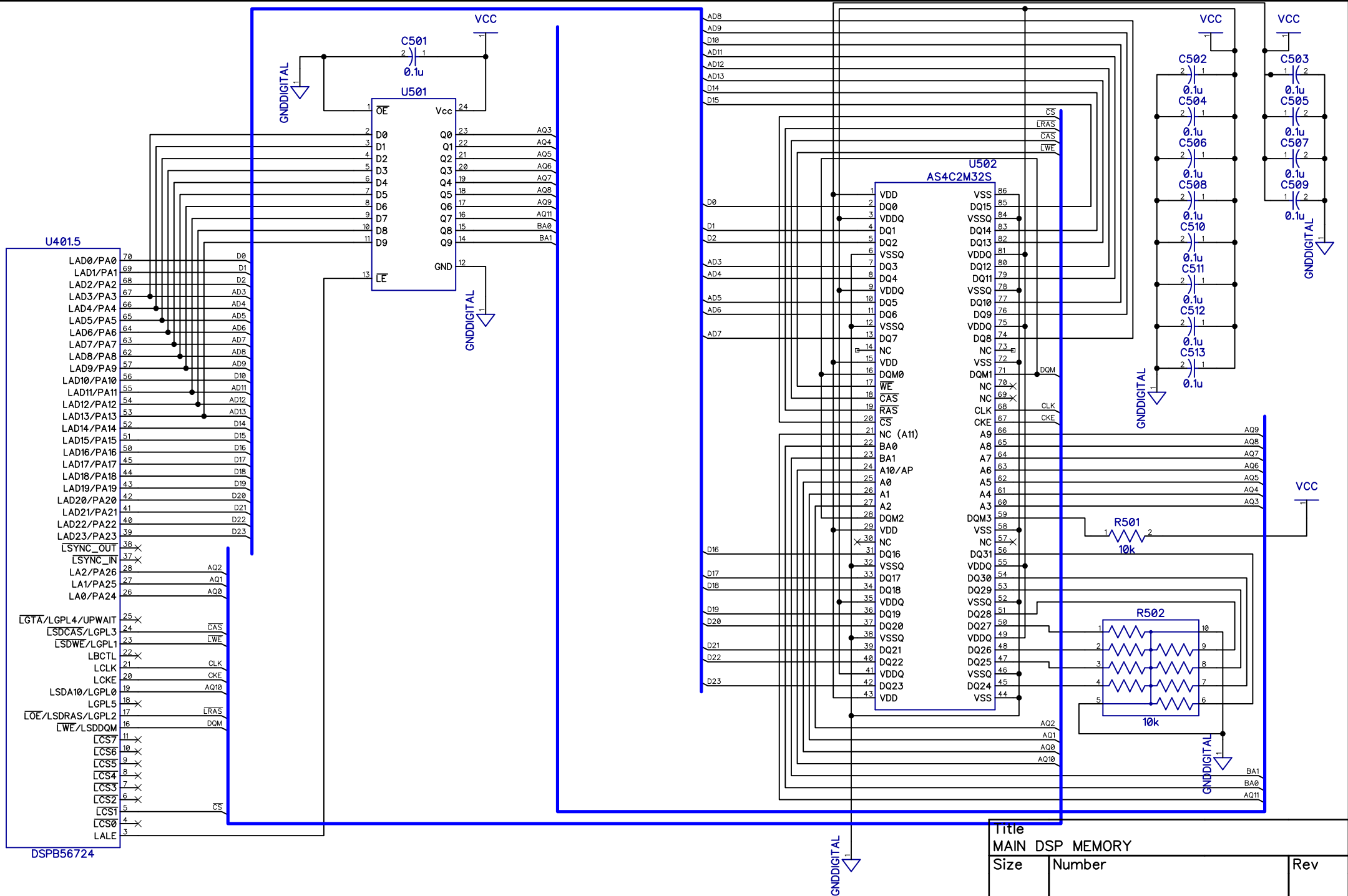
Title		
MAIN MCU ETHERNET, LCD		
Size	Number	Rev
Date	Drawn by	
Filename	Sheet	



Title		
EXTERNAL CONTROL		
Size	Number	Rev
Date	Drawn by	
Filename	Sheet	



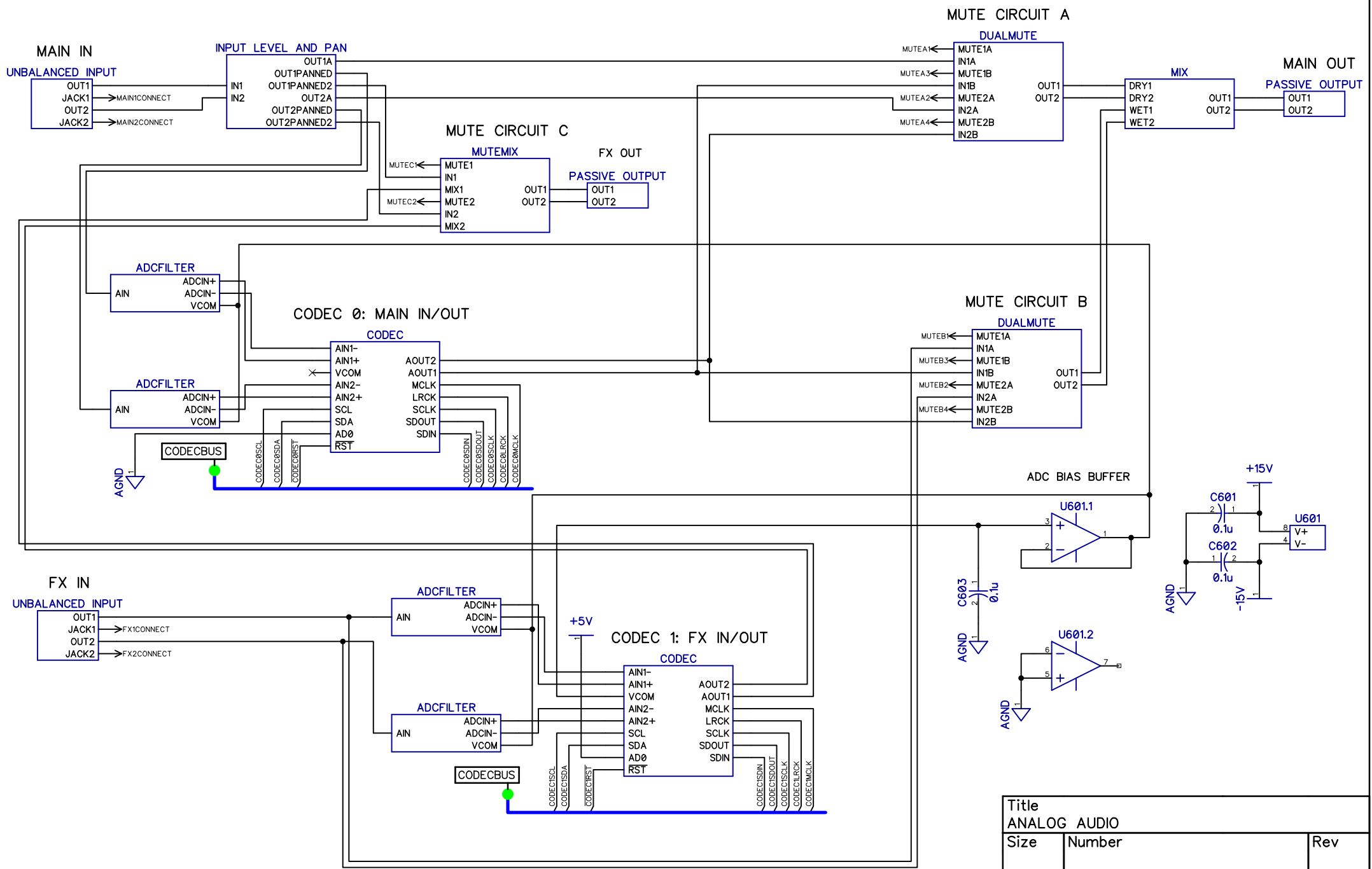
Title MAIN DSP		
Size	Number	Rev
Date	Drawn by	
Filename	Sheet	



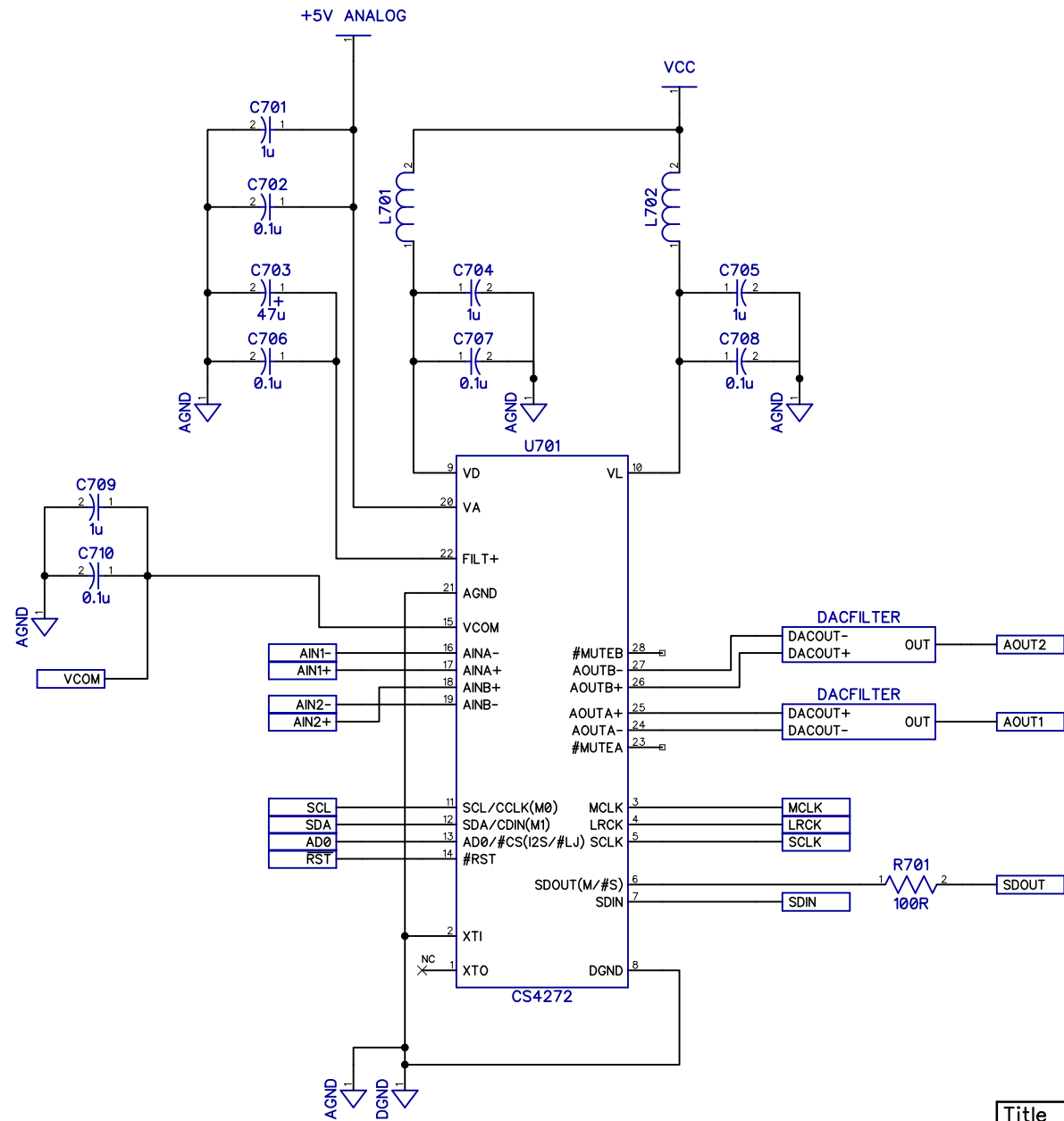
- U401.5**
- LAD0/PA0 70 D0
 - LAD1/PA1 69 D1
 - LAD2/PA2 68 D2
 - LAD3/PA3 67 AD3
 - LAD4/PA4 66 AD4
 - LAD5/PA5 65 AD5
 - LAD6/PA6 64 AD6
 - LAD7/PA7 63 AD7
 - LAD8/PA8 62 AD8
 - LAD9/PA9 57 AD9
 - LAD10/PA10 56 AD10
 - LAD11/PA11 55 AD11
 - LAD12/PA12 54 AD12
 - LAD13/PA13 53 AD13
 - LAD14/PA14 52 D14
 - LAD15/PA15 51 D15
 - LAD16/PA16 50 D16
 - LAD17/PA17 45 D17
 - LAD18/PA18 44 D18
 - LAD19/PA19 43 D19
 - LAD20/PA20 42 D20
 - LAD21/PA21 41 D21
 - LAD22/PA22 40 D22
 - LAD23/PA23 39 D23
 - LSYNC_OUT 38 X
 - LSYNC_IN 37 X
 - LA2/PA26 28 AQ2
 - LA1/PA25 27 AQ1
 - LA0/PA24 26 AQ0
 - LGTA/LGPL4/UPWAIT 25 X CAS
 - CSDCAS/LGPL3 24 X CAS
 - CSWE/LGPL1 23 X CAS
 - LBC TL 22 X CLK
 - LCLK 21 X CLK
 - LCKE 20 X CKE
 - LSDA10/LGPL0 19 AQ10
 - LGPL5 18 X
 - LOE/LSDRAS/LGPL2 17 X RAS
 - LWE/LSDDQM 16 X DQM
 - LCS7 11 X
 - LCS6 10 X
 - LCS5 9 X
 - LCS4 8 X
 - LCS3 7 X
 - LCS2 6 X
 - LCS1 5 X
 - LCS0 4 X
 - LAL 3

Title		
MAIN DSP MEMORY		
Size	Number	Rev
Date	Drawn by	
Filename	Sheet	

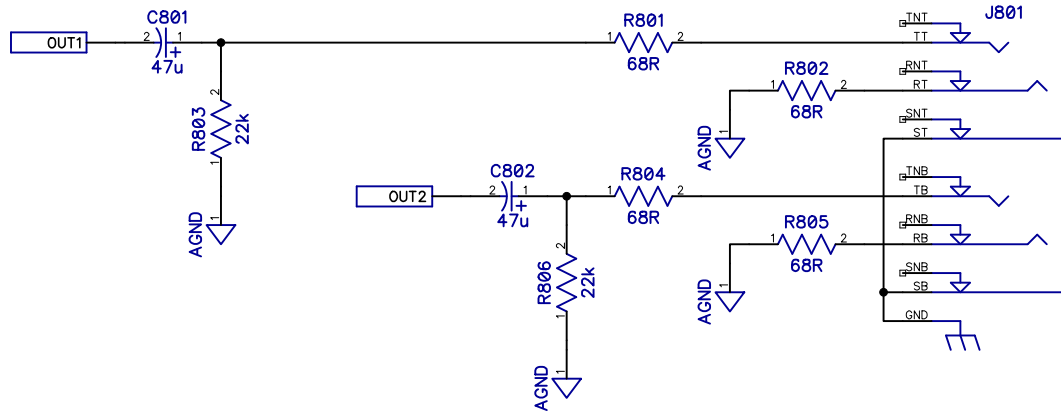
DSPB56724



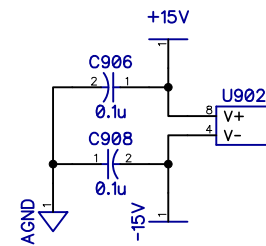
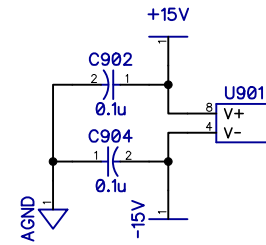
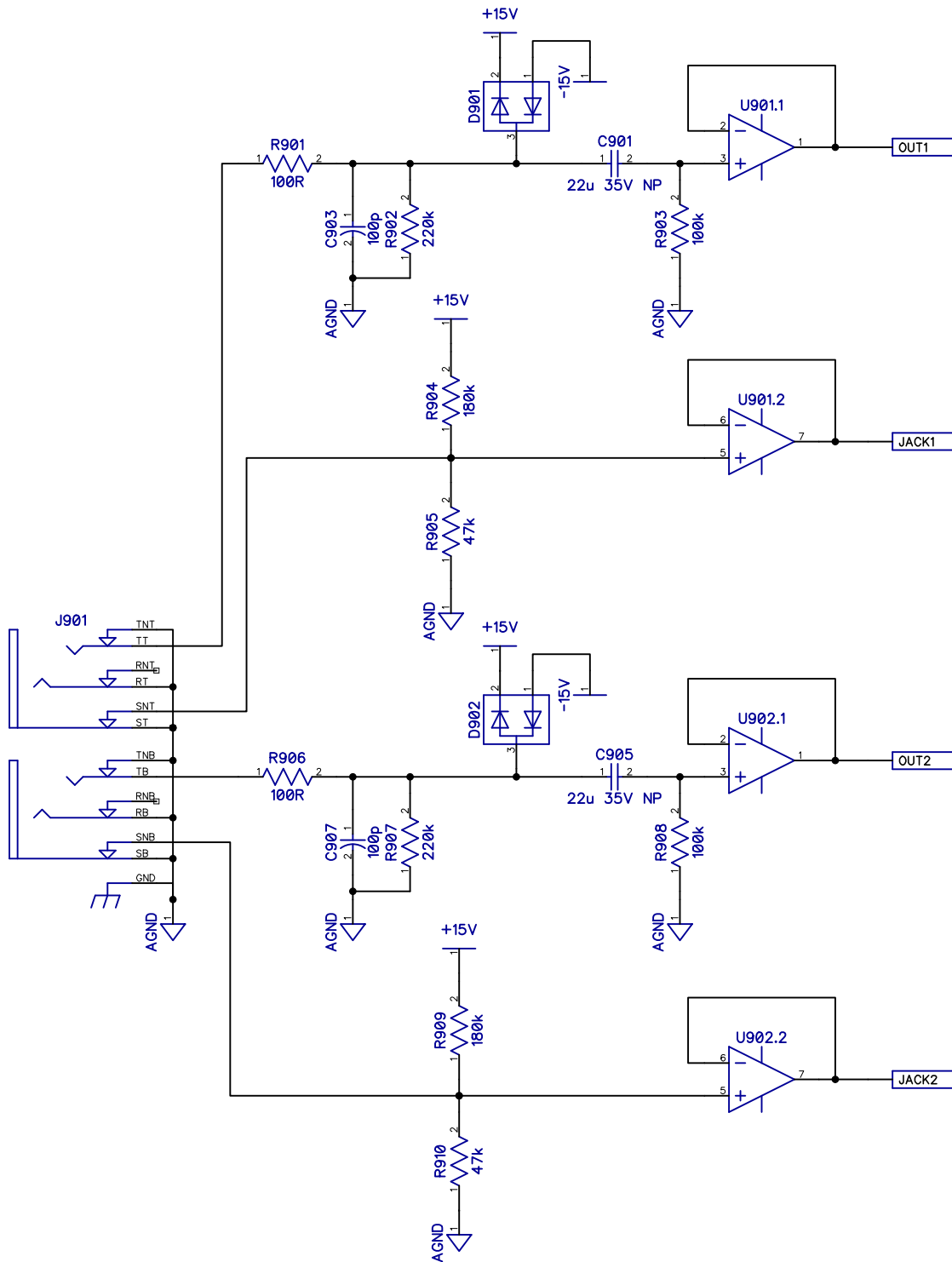
Title		
ANALOG AUDIO		
Size	Number	Rev
Date	Drawn by	
Filename	Sheet	



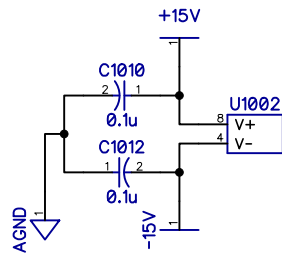
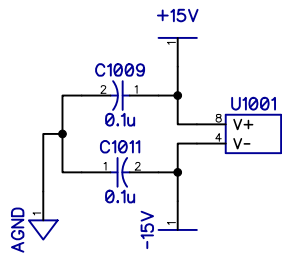
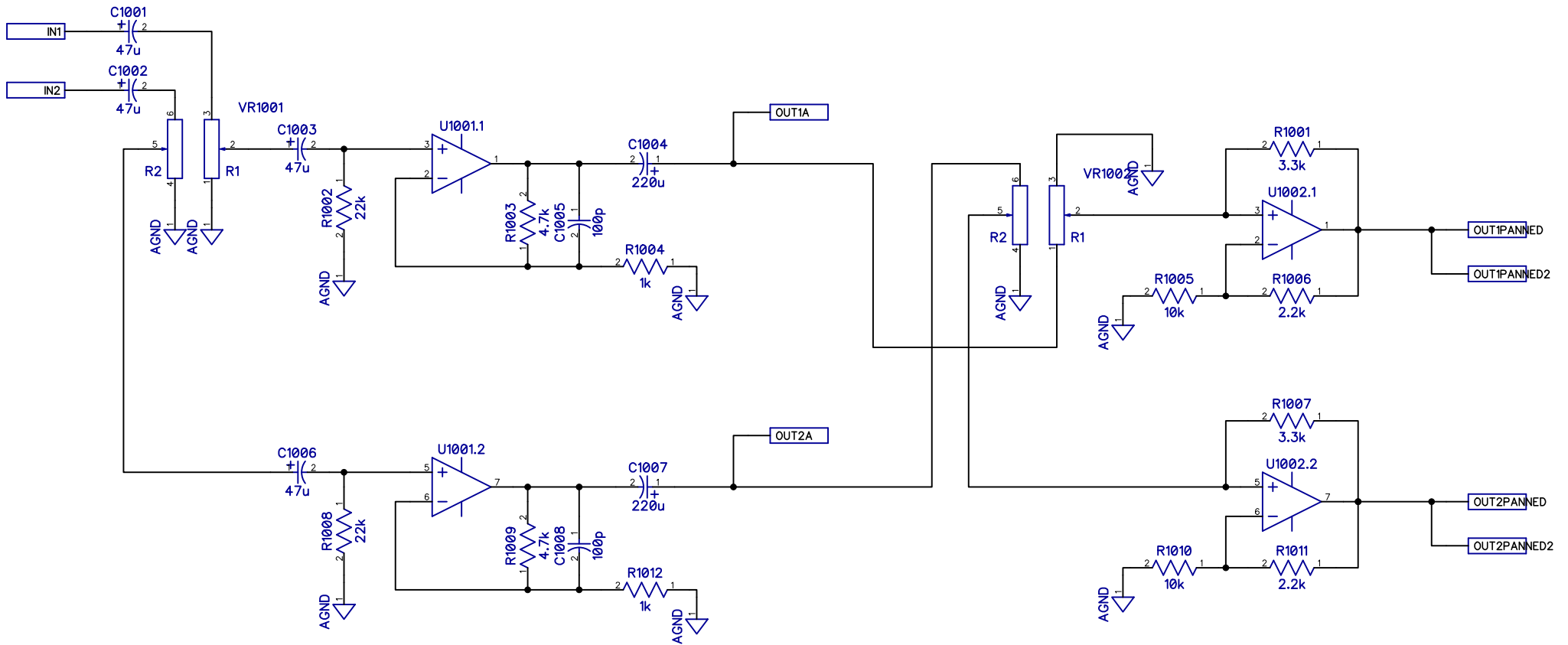
Title		
CODEC		
Size	Number	Rev
Date	Drawn by	
Filename	Sheet	



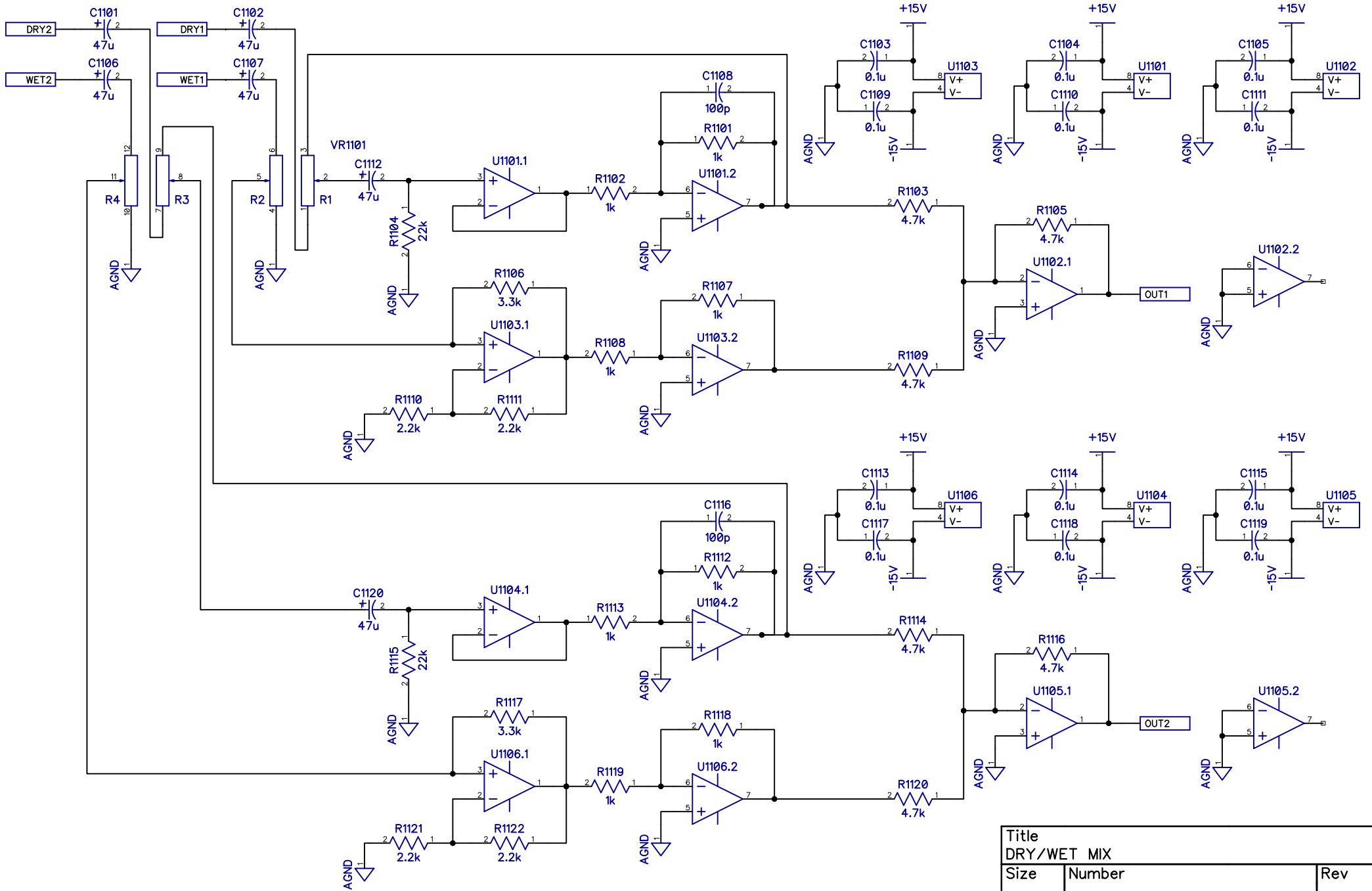
Title		
UNBALANCED OUTPUT STAGE		
Size	Number	Rev
Date	Drawn by	
Filename	Sheet	



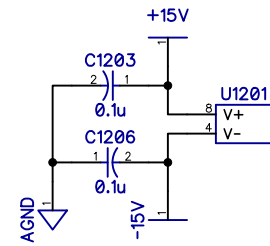
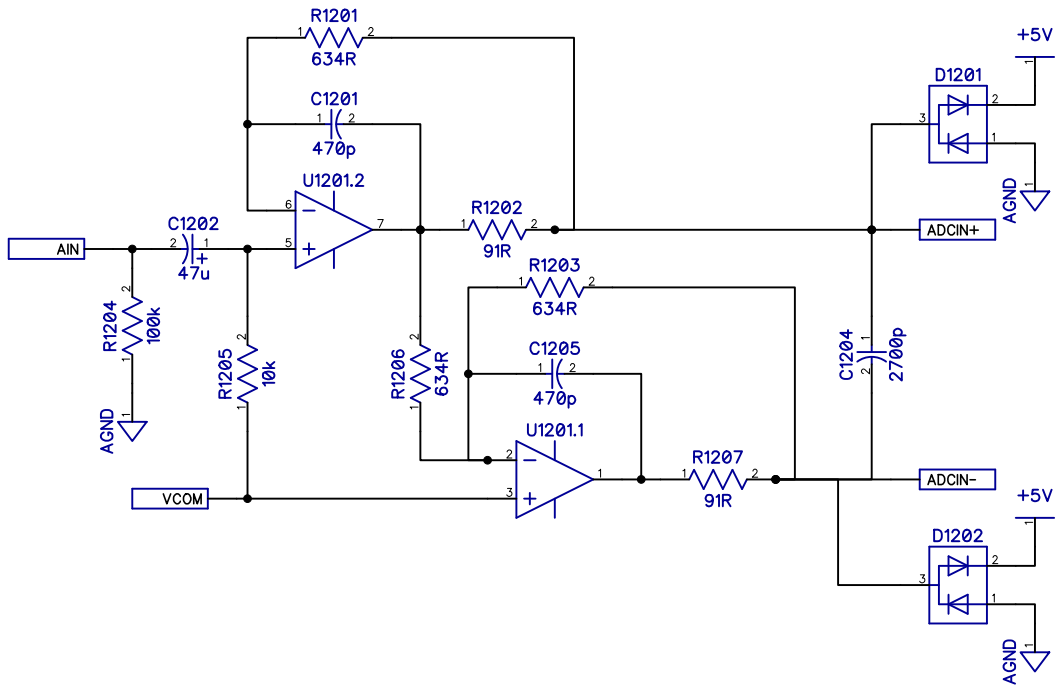
Title		
UNBALANCED DUAL INPUT		
Size	Number	Rev
Date	Drawn by	
Filename	Sheet	



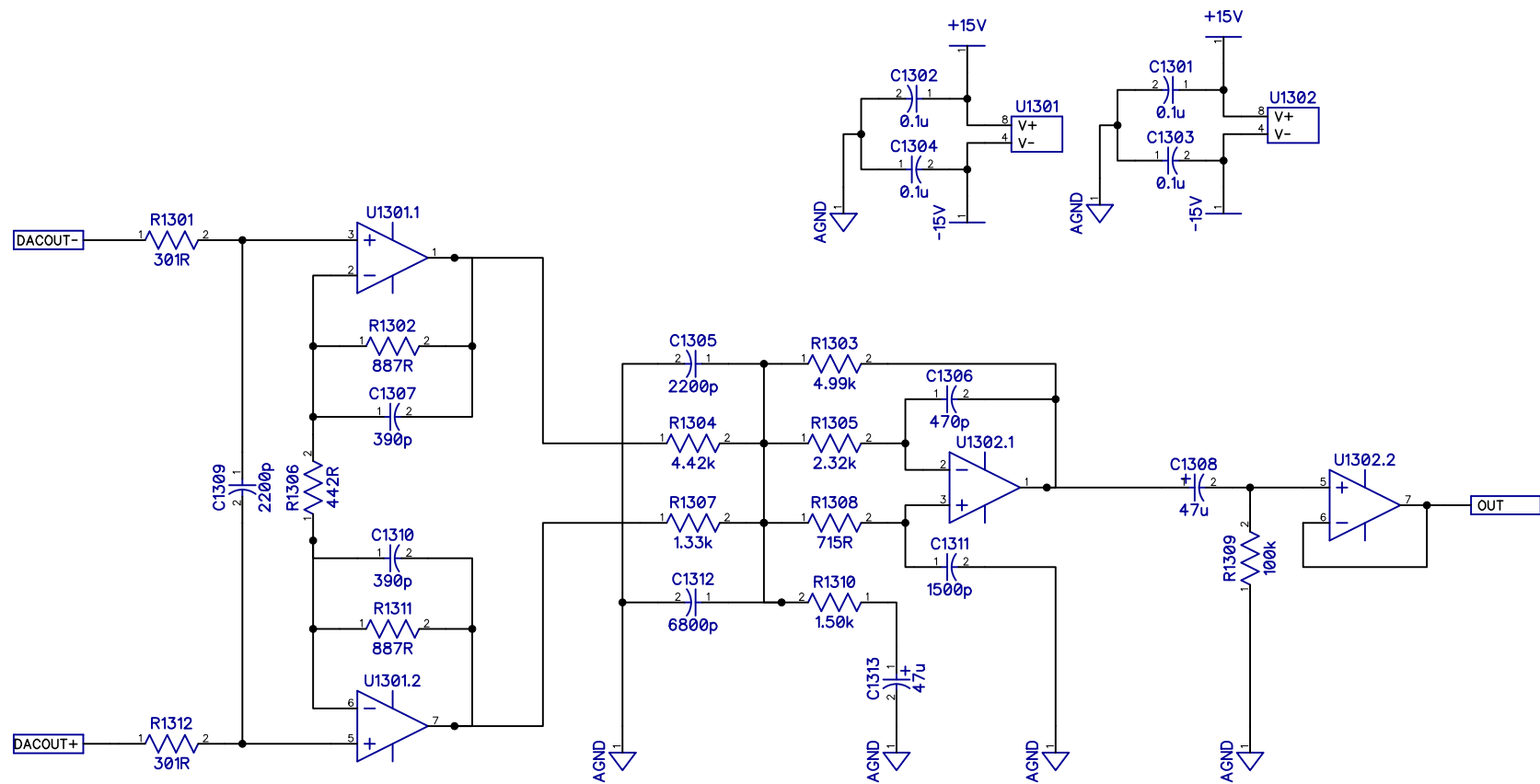
Title		
INPUT LEVEL AND PAN		
Size	Number	Rev
Date	Drawn by	
Filename	Sheet	



Title		
DRY/WET MIX		
Size	Number	Rev
Date	Drawn by	
Filename	Sheet	



Title ADC FILTER		
Size	Number	Rev
Date	Drawn by	
Filename	Sheet	

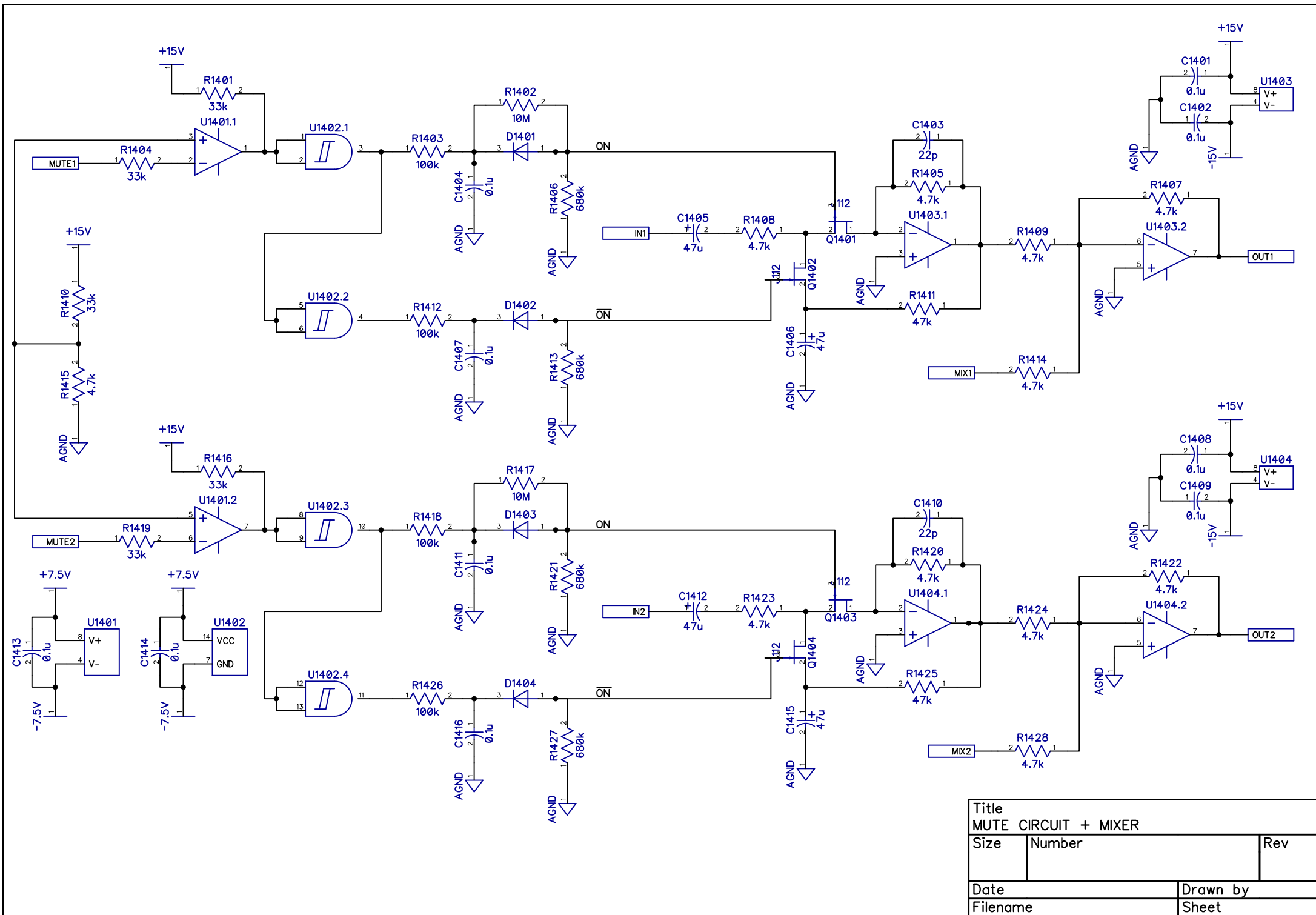


5x GAIN

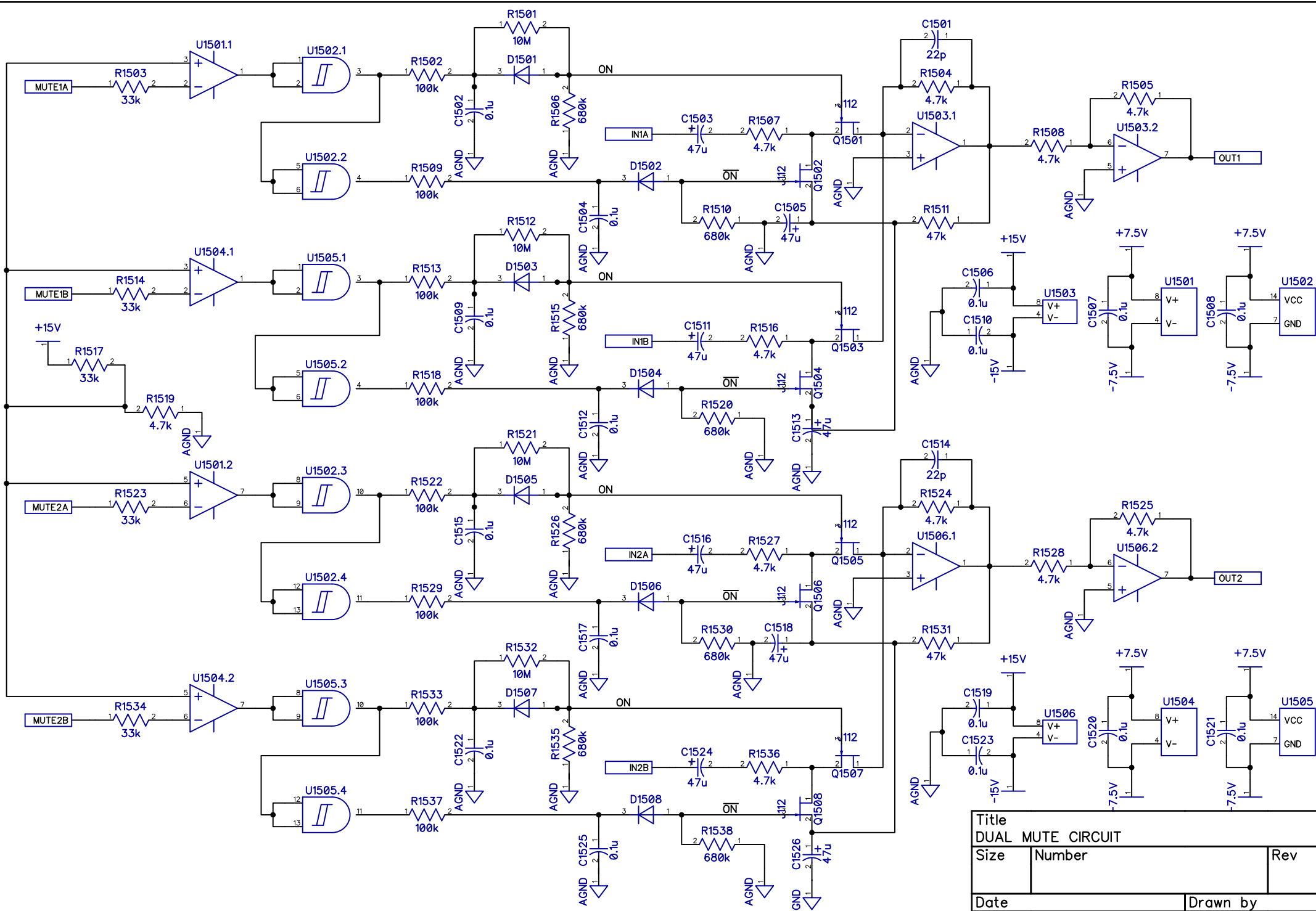
ANTI-ALIAS LOWPASS

HIGHPASS+BUFFER

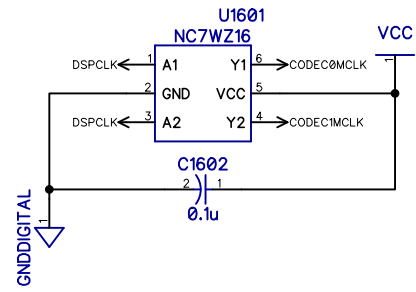
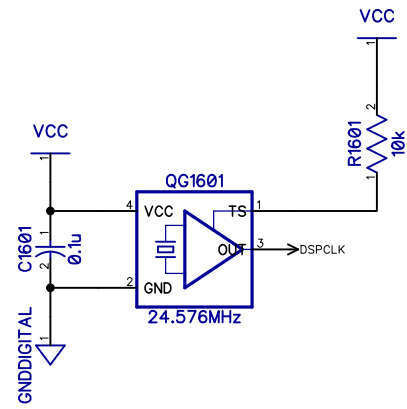
Title DAC FILTER		
Size	Number	Rev
Date	Drawn by	
Filename	Sheet	



Title		
MUTE CIRCUIT + MIXER		
Size	Number	Rev
Date	Drawn by	
Filename	Sheet	

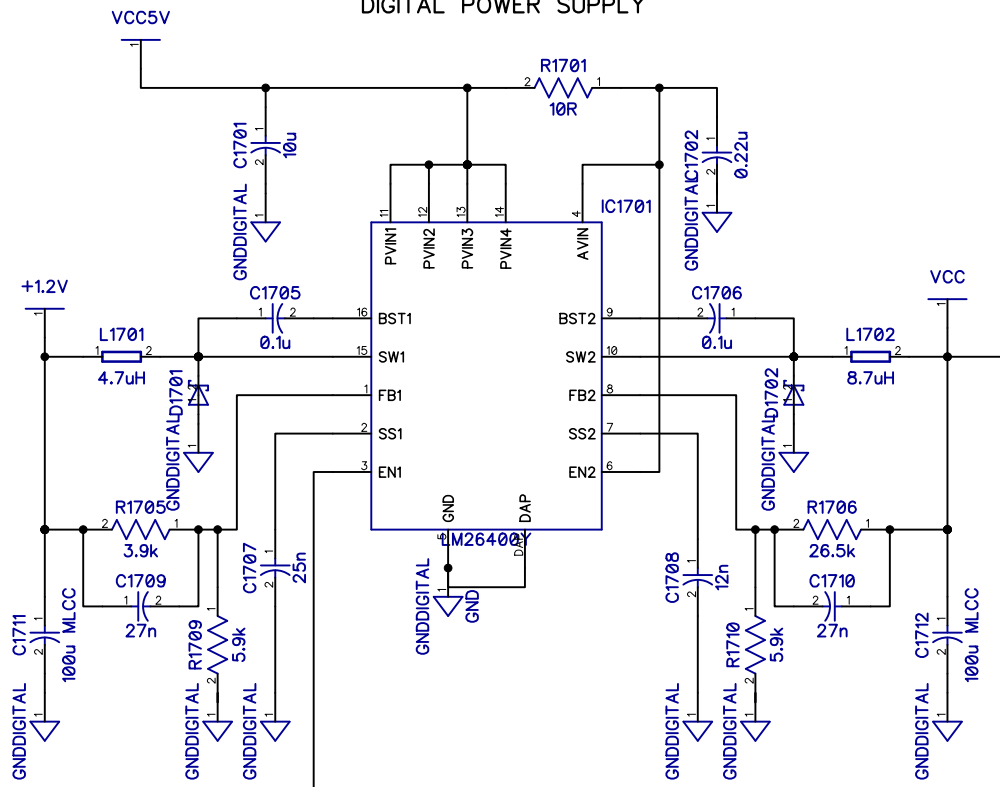


Title		
DUAL MUTE CIRCUIT		
Size	Number	Rev
Date	Drawn by	
Filename	Sheet	

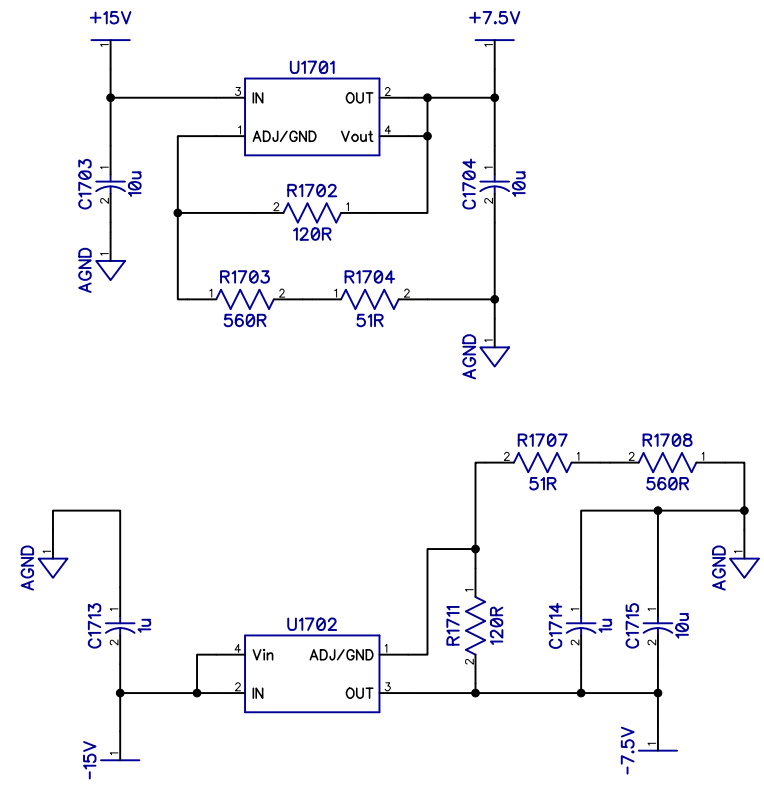


Title		
CLOCK SOURCE		
Size	Number	Rev
Date	Drawn by	
Filename	Sheet	

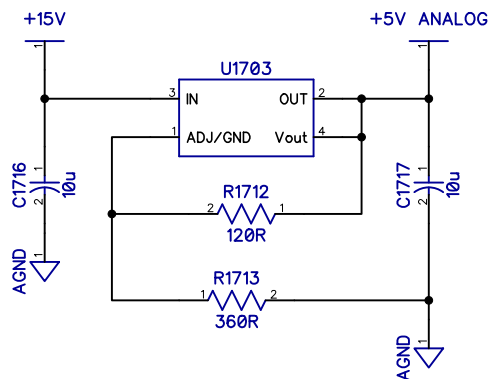
DIGITAL POWER SUPPLY



MUTE CONTROL POWER SUPPLIES



CODEC ANALOG POWER SUPPLY



Title POWER SUPPLIES		
Size	Number	Rev
Date		Drawn by
Filename		Sheet